

Accessories for weatherproof Telephone ResistTel

- ▶ Secondary Receiver Set
- ▶ Headset
- ▶ Loudspeaker Set

Communication

The headset improves essentially the communication in ambient noise areas.



Secondary Receiver Set

Application

The Second Ear Piece Kit permits the connection of a second ear piece to the weather-resistant telephone ResistTel. The second ear piece enables another person to listen in a telephone conversation. Moreover it can be used to reduce considerable disturbances due to ambient noise.

The set consists of:

- Second ear piece with dynamic receiver inset and spiral connecting cord with cable ends to connect to the ResistTel.
- Cable gland (M20 x 1.5) IP66 to lead the connecting cord into the ResistTel case
- Bracket and screws to hang up the second ear piece

Operation

The second ear piece is active when you hook off the handset of the telephone ResistTel. The volume of the second ear piece is changed with the volume of the handset simultaneously. With the +/- keys of the ResistTel you can change the volume for the

actual conversation. If you want to change the volume of handset and second ear piece permanently use the ResistTel menu „SETTINGS / HANDSET VOLUME“. The second ear piece is switched off when you hook on the handset of the ResistTel.

Technical Data

| | |
|-----------------------|--------------------------|
| Case material | Polyurethane-elastomers |
| Protection category | IP54 |
| Dimension | approx. 100 x 68 x 50 mm |
| Weight | approx. 0.2 kg |
| Connecting cord | spiral cord, 2 wires |
| Operating temp. Range | -20 °C to +60 °C |
| Transport temp. Range | -20 °C to +70 °C |
| Storage temp. Range | -20 °C to +70 °C |

Headset

Application

The Headset-Kit permits the connection of a headset to the weather-resistant telephone ResistTel. The headset improves essentially the communication in ambient noise areas. It protects against harmful ambient noise. It permits telephone communication during activities where both hands are needed.

The kit consist of:

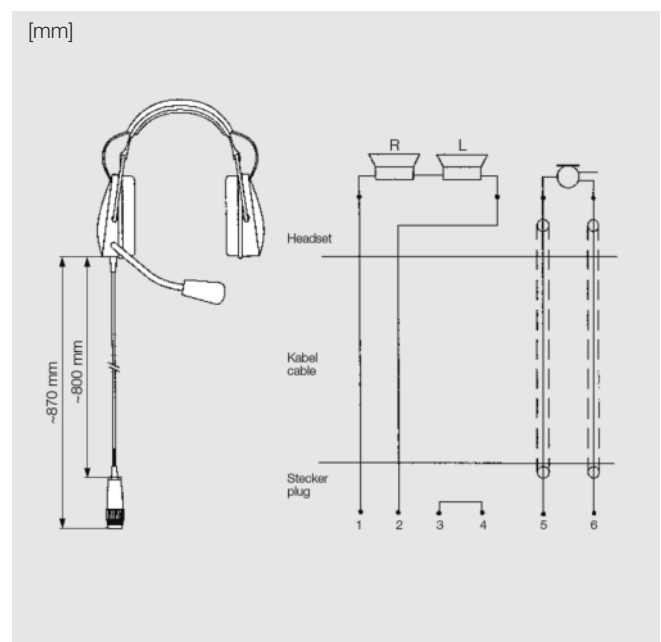
- Headset with dynamic receiver insets, noise-compensating electret nearfield response microphone with windshield and gooseneck, as well as 80 cm smooth cord with connecting plug.
- A 14 m long connecting cord with a connecting jack at one end and with wireends with wireend sleeves at the other end to connect to the ResistTel.
- Cable gland M20 x 1.5 to lead the connecting cord into the ResistTel.
- bracket and screws to hang up the connecting cord and the headset.

Operation

Connect the plug of the headset to the jack of the connecting cord and put on the headset. Adjust the height of each headset muff equally on both sides while holding the headband down on the top of the head until the ear cushions have a light and comfortable fit. The headband should sit straight and comfortable on the top of the head. Adjust the flexible gooseneck so that the microphone is positioned at a distance of approximately 5 mm (0.2") in front of your lips. Optimal voice transmission and the best possible noise compensation are then provided. If the headset has been connected correctly, the headset mode

replaces the handsfree mode of the ResistTel. For this reason the handsfree mode of the ResistTel is not possible with connected headset. If you switch on the ResistTel with the loudspeaker key you are operating in headset mode. With the +/- keys of the ResistTel you can change the receiving volume of the headset for the actual conversation. If you want to change the receiving volume of the headset permanently use the ResistTel menu „SETTINGS_HEADSET VOLUME“.

Dimensions



Loudspeaker Set

Application

The Loudspeaker Kit permits the connection of a loudspeaker to the weather-resistant telephone ResistTel. The Loudspeaker enables a particularly loud rendition of the ringer sound and of the receiving signal in the operating modes „open listening“ and „handsfree“ of the telephone.

The kit consist of:

- Dynamic loudspeaker in a plastic housing with cable gland and connection box.
- Cable gland (M20x1.5) IP66 to lead a speaker cable into the ResistTel case

(speaker cable is not within the scope of delivery)

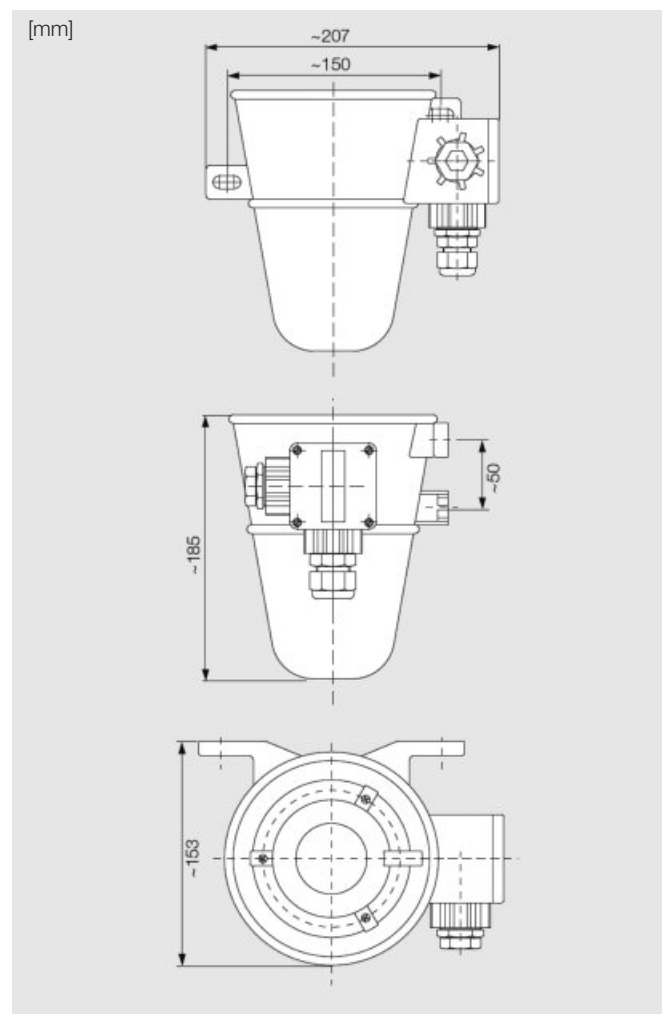
Technical Data

| | |
|---|---|
| Case material | Polyamide 12 |
| Protection category | IP54 |
| Insulation class | II |
| Dimensions | approx. 153 x 185 x 193 mm |
| Weight | approx. 1.1 kg |
| Terminal clamping range | up to 4 mm ² solid up to 2.5 mm ² stranded |
| Cable gland | M20 x 1.5 for cable diameter from 5 to 9 mm |
| Sealing plug | M20 x 1.5 |
| Rated power | 300 mW |
| Max. loudness with ResistTel (1m distance) | Ringer max 93 dB(A) Open listening / handsfree 81 dB(A) |
| Impedance | 45 Ω |
| Operating temperature range | -25 °C to +60 °C |
| Transport temperature range | -25 °C to +70 °C |
| Storage temperature range | -25 °C to +70 °C |

Operation

The loudspeaker is switched on and off via the ResistTel menu „SETTINGS / EXT. SPEAKER“. If the loudspeaker is switched on, the ringer sound is output via the loudspeaker when the telephone is calling. The set up of the ringer signal is described in the operation instructions of the ResistTel. In the operating modes „open listening“ and „handsfree“ of the telephone the receiving signal is output via the loudspeaker. With the +/- keys of the ResistTel you can change the volume for the actual conversation. If you want to change the volume of the loudspeaker permanently use the ResistTel menu „SETTINGS_SPEAKER VOLUME“. The loudspeaker is switched off when you hook on the handset of the ResistTel or push the loudspeaker key.

Dimensions



Order Information

| Name | Art. no. |
|------------------------|------------|
| Secondary Receiver Set | 112 643 03 |
| Headset | 112 643 04 |
| Loudspeakerr Set | 112 643 05 |

Subject to change without notice · Printout 10/11