

Telephone Ring Indicator Relay TAR 21

**Telephone ring indicator relay
as accessory to connect
optical and acoustic signalling devices
for call signalling purposes**

- ▶ W/b connection to telephone
- ▶ Adjustable: with and without call/break bridging

Application

The TAR 21 telephone ring indicator relay detects AC call voltages, which it uses to control a relay in an electrically isolated circuit in order to switch on an acoustic or optical signalling device to announce the incoming call signal.

Such signalling devices are usually used when the normal bell signal volume of a telephone is insufficient for area or noise reasons.

The relay circuit of the TAR 21 is supplied with a mains power supply of 230 VAC, which is simultaneously used to supply the connected signalling device.

Design

The device is equipped with a sturdy aluminium housing, whose cover is fixed with two screws. The housing has two brackets for mounting in any position. The printed circuit board inside the device contains all the components and terminals. The operating range of the AC call voltage can be set on 23–54 Hz or 15–100 Hz with a switch inside the device. Call/Break bridging can be set with a further switch (when connecting optical signalling devices). Two M20 cable glands are provided for the 230 VAC power supply and connection of the signalling device. The telephone line is connected with a M12 cable gland.

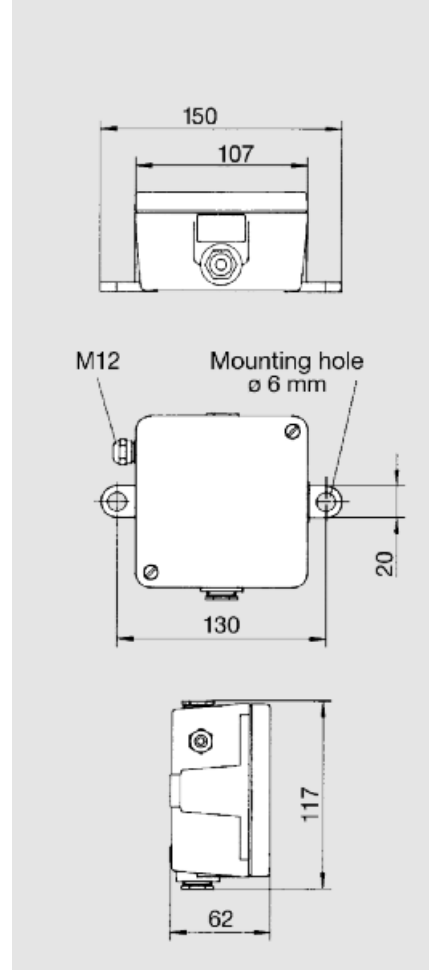
Telephone call signalling device for outdoor use

The housing has two brackets for mounting in any position.

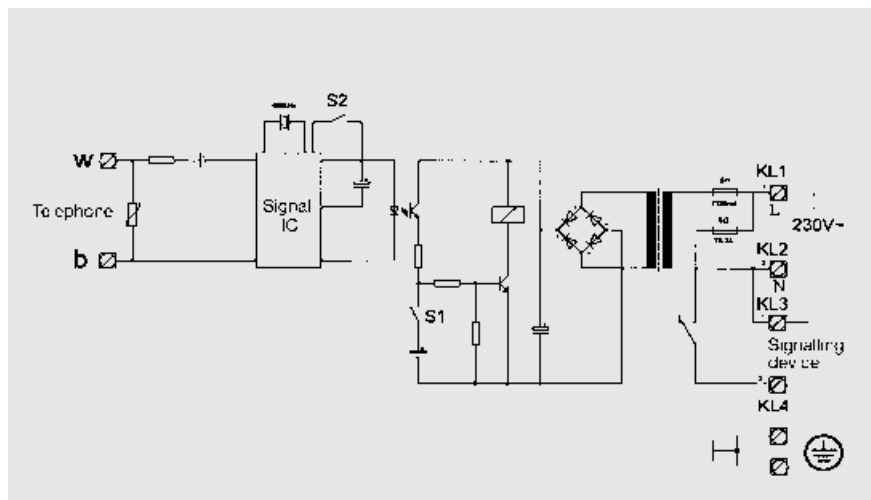


Technical specifications

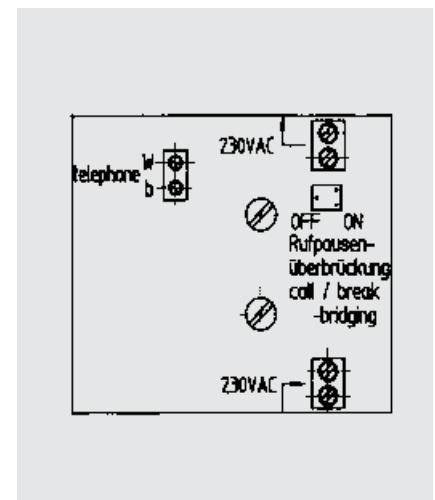
Housing	Aluminium
Colour	Grey
Protection degree	IP 55 (IEC 529)
Protection class	I
Cable gland	2x M20, 1x M12
Operating conditions	Indoors and outdoors
Operating position	Any, preferably not with the cable glands at the top
Operating mode	continuous
AC call voltage	23 – 54 Hz / 45 – 75 V Other call frequency ranges can be set with a switch
Call/Break bridging	Approx. 6 s If using optical signalling devices, the device can be set on call/break bridging if required.
Switch contact	Make contact, switching capacity 230 VAC/5A
Temperature range	
Operation	-20°C to +60°C
Storage	-30°C to +70°C
Approval	
Deutsche Telekom AG	014055 B
Weight	0.75 kg



Circuit diagram



Wiring diagram



Order information

Type	Name	Version	Rated voltage V	Rated current A	Article no.
TAR 21	Telephone Ring Indicator Relay	Call relay with call/break bridging	230 V +10/-15 %	0.025 A + current consumption of the connected signalling device	118 830 20

Subject to change without notice · Printout 08/10