

# Second telephone alarm and signal unit TWIN type 5843/5

## Optical and acoustic telephone call signalling device

- ▶ Steerable via floating contact (e.g. FernTel ISDN)
- ▶ Steerable via analog signal
- ▶ Protection degree IP 66 acc. to EN 60529
- ▶ Four different signal tones
- ▶ Volume approx. 100 dB(A)

## Application

The second telephone alarm and signal unit is designed for use in general industrial applications and may be used both indoors and outside.

The signal unit is suitable for both wall and ceiling mounting. It must be mounted in such a way that dust and water cannot settle in the bell mouth. The device is connected to a 230 V mains for supplying the optical and acoustic signal generation. The built-in strobe light for optical signalling is controlled in such a way that the call breaks are bridged.

## Design

The device is a very compact unit comprising power supply, telephone connection, strobe light, amplifier and loudspeaker.

The base is made of seawater-proof cast aluminium and coated in plastic. The loudspeaker is made of impact and cold-resistant plastic and is mounted firmly on the housing. The cap of the strobe light forms the housing cover and is made of polycarbonate.

## Outdoor installation of TWIN

The loudspeaker is made of impact and cold-resistant plastic and is mounted firmly on the housing.



# Technical specifications

## Connections

Cable glands M20 x 1.5 mm, clamping range  $\varnothing$  5-9 mm  
 Terminals For strands up to 1.5 mm<sup>2</sup>

## Mains connection

Terminal designations L1, N, PE at the housing  
 Power supply 230 V<sub>AC</sub>  $\pm$ 10% 50 Hz / 60 Hz  
 Operating time TWIN has been designed for short-time or intermittent operation. At 30°C ambient temperature and maximum power supply the following conditions apply  
 Duty cycle  $\leq$  30 min.  
 Rest duration  $\geq$  30 min.

## Telephone connection

Terminal designations W, Lb  
 Ringing alternating current 24 V<sub>AC</sub> ... 85 V<sub>AC</sub> 24 V<sub>AC</sub> ... 80 V<sub>AC</sub>  
 Overlaid supply voltage 0 V<sub>DC</sub> ... 48 V<sub>DC</sub> 48 V<sub>DC</sub> ... 63 V<sub>DC</sub>  
 Ringing frequency 16 Hz ... 54 Hz  
 Input impedance at 25 Hz  $Z \geq 8 \text{ k}\Omega$   
 Input impedance at 50 Hz  $Z \geq 4 \text{ k}\Omega$

## Acoustic signalling

Acoustic signal unit Piezoelectric disc  
 Acoustic signal (choose signal via DIP-switch) 2-tone or 3-tone melody, 4 different settings  
 Sound pressure Approx. 100 dB(A) at 1 m

## Optical signalling

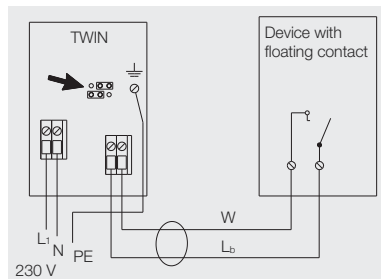
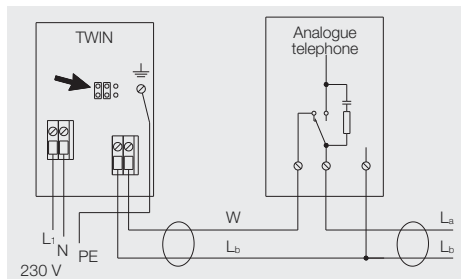
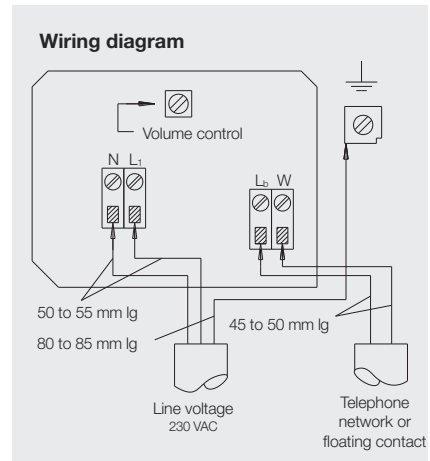
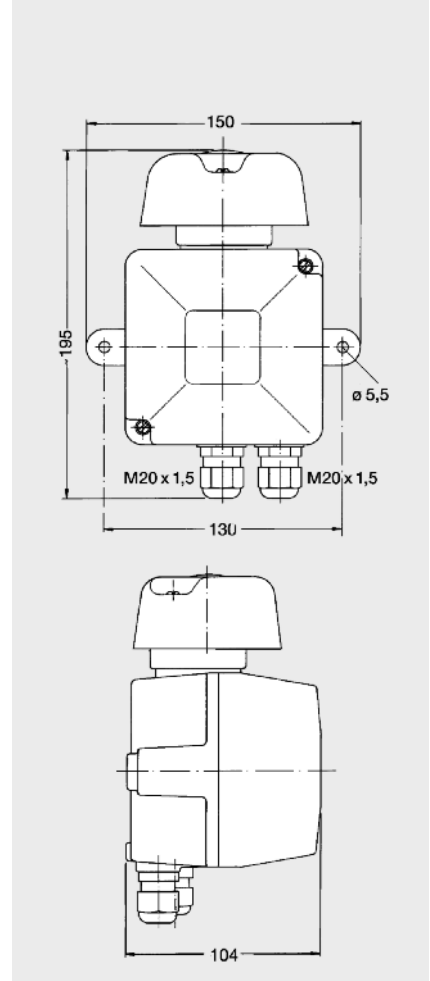
Optical signal unit Flash tube E = 3 Ws  
 Flash frequency 2 Hz ... 5 Hz  
 Flash time following end of call (bridging call pause) Approx. 4s

## Housing

Height x Width x Depth Approx. 150 x 195 x 104 mm  
 Weight Approx. 0.9 kg  
 Operating position Vertical wall mounting

## Environmental conditions

Ambient operating temperature -20°C ... +60°C  
 Transport and storage temperature -20°C ... +85°C  
 Protection category acc. to IEC 529 IP 66  
 Insulation class I



\* The full article number is made up by appending the colour code for the coloured cap to the article numbers given below.

transp.	01
red	02
yellow	03
green	04
blue	05

## Order information

Type	Name	Art. no.*
TWIN type 5843/5	Second telephone alarm and signal unit	118 832 ..

Subject to change without notice · Printout 07/12

