

Telephone Protection Hood Type 404 / Metal

**Especially suitable for use
in noisy work environments**

- ▶ Sound absorbt up to 25 dB(A)
- ▶ Weatherproof
- ▶ RAL coatings yellow or red,
other colours on request
- ▶ Sheet steel or in stainless steel
available



Application

The telephone protection hood is an excellent aid to cut out extraneous noise and improve audibility in noisy surroundings when open telephones have to be installed for economic reasons.

The special shape of the hood and its inner lining of sound-absorbing material optimally reduces noise in the area of the telephone. Eavesdropping is also made difficult. The best acoustic effect is achieved when the protection hood is mounted with its back facing the noise source or loudest noise source (see directional diagram of sound-level reduction).

Design

The protection hood is made of sheet steel or stainless steel and lined on the inside with soundabsorbing mineral fibre boards behind a perforated plate cover.

Telephoning in areas with noisy surrounding

The best acoustic effect is achieved when the protection hood is mounted with its back facing the noise source.



Technical specifications

Housing	Hot-galvanized sheet steel or stainless steel	
Paint	Powder coated	
Colour Hood	Yellow, red, stainless steel special coating on request	
Colour Console (optional)	Yellow	
Sound absorbt	Up to 25 dB(A)	
Dimension	As per drawing	
Weight	Sheet steel	35 kg
	Stainless steel	40 kg
	Console	17 kg

Material sheet steel

Out ST37-2

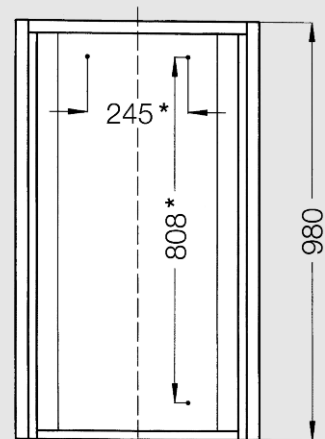
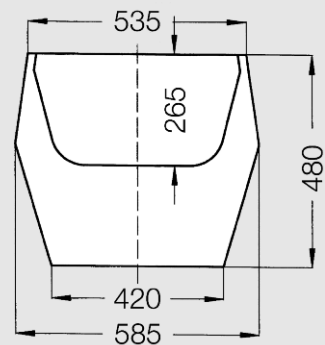
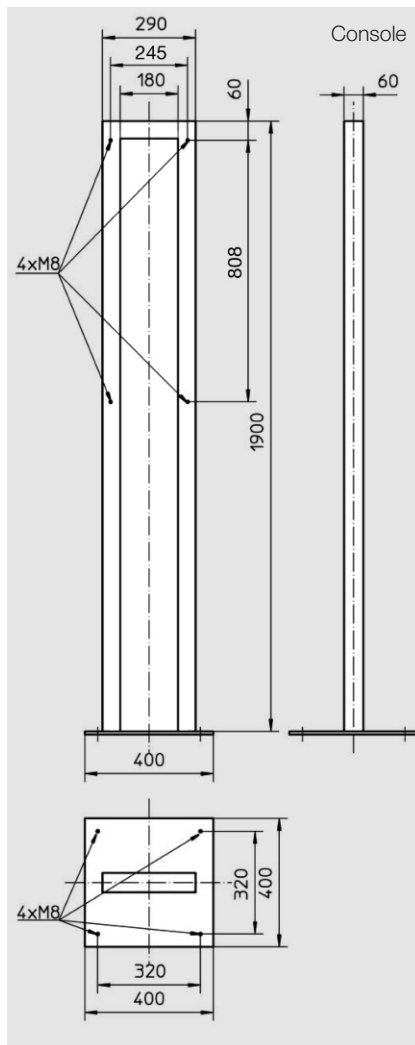
Perforated metal ST37-2

Material Stainless steel

Out 1.4571

Perforated metal 1.4301

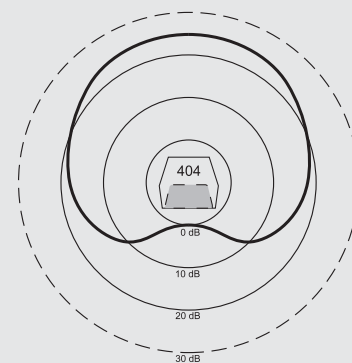
Insulation Rockwool
RAF-SE



* Difference due to manufacturing tolerance is possible

Hood

Directional diagram



Order information

Type	Name	Colour	Article no.
Type 404	Protection Hood Sheet steel	yellow (RAL 1023)	118 901 01
Type 404	Protection Hood Sheet steel	red (RAL 3020)	118 901 14
Type 404	Protection Hood, stainless steel		118 901 11
	Console, sheet steel		118 901 03

Subject to change without notice · Printout 11/09