

LED



Signalling Light BLG-LED

Compact signalling light with solid rubber housing for vibration-proof mounting

- ▶ Modern LED technology
- ▶ High lifetime
- ▶ Vibration-proof housing
- ▶ Protection degree IP 67
- ▶ Protection class II
- ▶ Continuous, blinking, rotating or flashing light mode selectable by jumper settings
- ▶ Flexible usable due to different modes

Application

It is often necessary to use optical signals for warning, indicating and signalling purposes in areas where vibrations may occur.

Such areas are machines, vehicles, cranes, and so on. The Signalling Light BLG-LED provides this signalling capacity.

The Signalling Light BLG-LED is activated by turning on the supply voltage. It is available in various cap colours. The solid rubber housing conforms to protection degree IP 67 and is suitable for both indoor and outdoor use.

Design

The housing is made of solid rubber (elastic TPF). The cap consists of impact polycarbonate.

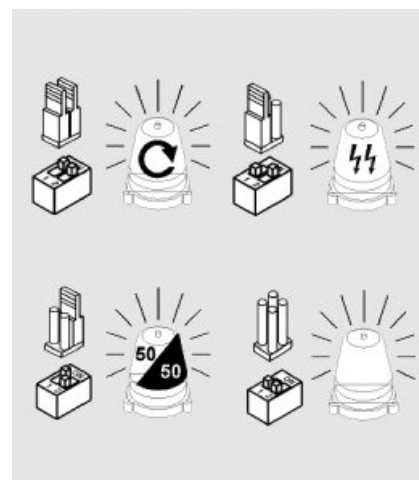
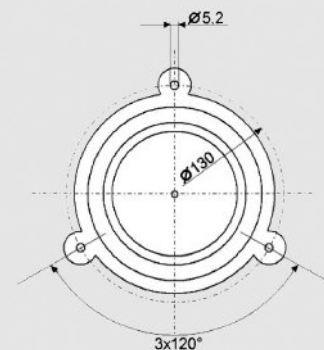
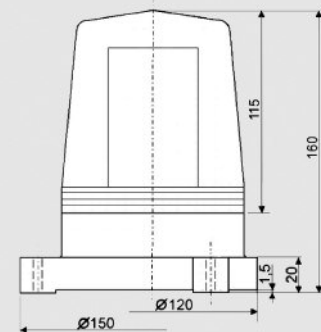
Alarm indication at a machine

It is often necessary to use signals for warning purposes in areas where vibrations may occur.



Technical specifications

Housing	Elastic TPF, cap polycarbonate
Colour	Black
Protection degree	IP 67 (IEC 529)
Protection class	II (no external equipotential bonding necessary)
Cable gland reducer	6–8 mm, rubber sealing without tensile strength
Connecting terminals	1.5 mm ² fine-wired
Operating conditions	Inside or outside
Operating position	Cable entry downwards
Operating mode	Continuous
Temperature range	
Operating	-40°C to +50°C
Storage	-40°C to +70°C
Weight	Approx. 0.45 kg



Order information

Type	Name	Rated voltage U _e	Tolerance U _e	Current consumption	Art. no.
BLG-LED	Signalling light	230 VAC	+5/-5%	70 mA	221 507 ..
BLG-LED	Signalling light	12 / 24 VDC	+5/-5%	1.2 A / 600 mA	221 513 ..
BLG-LED	Signalling light	115 VAC	+5/-5%	140 mA	221 506 ..

* The full article number is made up by appending the colour code for the coloured cap to the article numbers given below.

red	02
amber	03
green	04
blue	05

Subject to change without notice · Printout 01/13