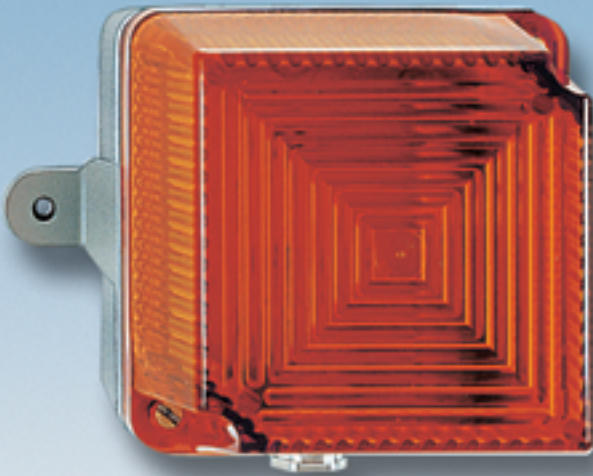


LED



Signalling Light BLK LED

**Robust optical signalling device
for indoor and outdoor use
in LED technology**

- ▶ Protection degree IP 65
- ▶ Compensation valve to prevent condensation water
- ▶ Modern LED technology
- ▶ High lifetime
- ▶ 3 different modis (continous, blinking or flash light)

Application

It is often necessary to use optical signals for warning and indicating purposes in very noisy surroundings.

The BLK LED emits clearly recognisable signals. The sturdy housing conforms to protection degree IP 65 and is suitable for both indoor and outdoor use.

The signalling light is available in four different cap colours.

Design

The modern electronics are mounted on a printed circuit board of glass fibre reinforced epoxy resin.

The weather-proof coated aluminium die-cast housing is equipped with a ribbed cap of impact-resistant plexiglass.

The signalling light is provided with a M20 cable gland for cable diameters of 8 to 12 mm.

Three modes (continous, blinking and flash light) are switchable.

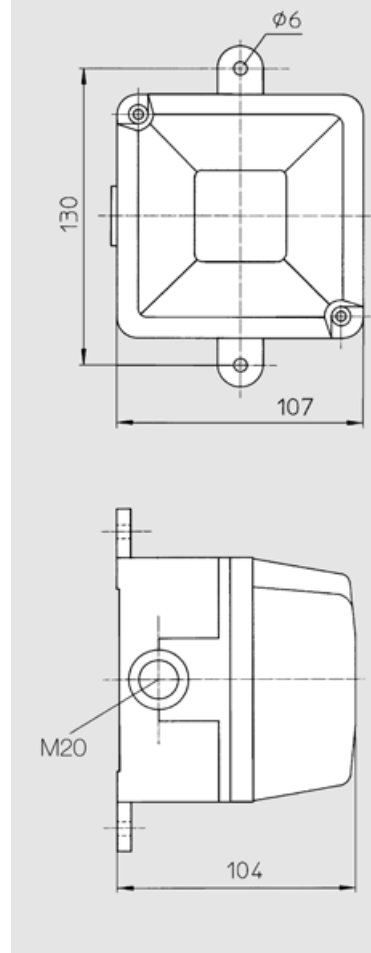
Alarm system in a quarry

The BLK LED signalling light emits clearly recognisable signals.



Technical specifications

Housing	Seawater-proof aluminium, surface weather-proof coated
Colour	Light grey
Cap	Plexiglass
Colours	red, yellow, green, blue
Protection degree	IP 65 (IEC 529)
Protection class	I
Cable gland	1 x M20 for cables 8–12 mm (second cable gland is retrofittable)
Connection terminals	Cross section: 2.5 mm ² single wire 1.5 mm ² fine wire
Operating conditions	Indoors and outdoors
Operating position	Any (preferably with cable gland downwards)
Operating mode	Continuous
Temperature range	
Operation	-30° C to +50° C
Storage	-30° C to +70° C
Weight	Approx. 0.7 kg



	durable flash
	3 time flash
	4 time flash
	double flash
	flashing light
	all open: durable light

* The full article number is made up by appending the colour code for the coloured cap to the article numbers given below.

red	02
yellow	03
green	04
blue	05

Order information

Type	Name	Rated voltage U _e	Current consumption A	Operating voltage range U _e	Art. no.*
BLK LED	Signalling Light	230 VAC	12 mA	+/-5%	221 607 ..
BLK LED	Signalling Light	24 VDC	160 mA	+/-5%	221 613 ..
BLK LED	Signalling Light	12 VDC	320 mA	+/-5%	221 612 ..

Subject to change without notice · Printout 01/09