



Double Strobe Light SLB 2

**Robust optical signalling device
for indoor and outdoor use**

- ▶ Indoor and outdoor use
- ▶ Protection degree IP 54
- ▶ Three operating modes

Application

It is often necessary to use optical signals for warning and indicating purposes in very noisy surroundings.

The SLB 2 double strobe light emits clearly recognisable signals. The housing conforms to protection degree IP 54 and is suitable for both indoor and outdoor use. The strobe light is available in five different cap colours.

Design

Two separate strobe light systems, each with a flash energy of 7.5 joule every 1.5 seconds.

Operating modes

1. Simultaneous control of both flashes with 15 joule every 1.5 seconds.
2. Alternate control of both flashes with 7.5 joule every 0.75 seconds.
3. Alternate control of both flashes offset by 200 milliseconds every 1.5 seconds.

The user can set the required operating mode in the device.

Fault indication on a transformer station

The housing conforms to protection degree IP 54 and is suitable for both indoor and outdoor use.

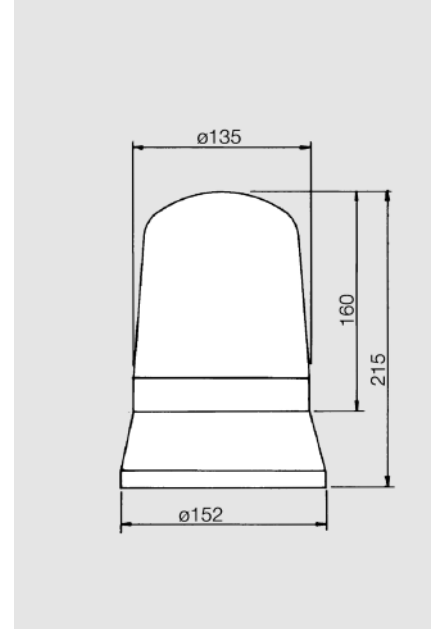


Technical specifications

Housing	Seawater-proof aluminium
Cap	Plexiglass
Signal colours	Transparent, red, yellow, green, blue
Protection degree	IP 54 (IEC 529)
Protection class	I
Cable gland	1x for cable diameters 8–12 mm
Operating conditions	Indoors and outdoors
Operating position	Any, preferably standing
Operating mode	Continuous
Light source	2x flash tubes 7.5 joule
Flash sequence	

Adjustable	Mode terminal in electric connection enclosure	Switch S1 on circuit board
1. Every 1.5 s, one double flash of 7.5 joule each, offset 0.2 s	short	open
2. Every 1.5 s, one single flash of 15 joule	open	open
3. Every 0.75 s, one alternating flash of 7.5 joule	open	closed

Lifetime	Approx. 5×10^6 flashes per flash tube
Temperature range	
Operation	-20°C to +60°C
Storage	-30°C to +80°C
Weight	2.0 kg



Order information

* The full article number is made up by appending the colour code for the coloured cap to the article numbers given below.

transp.	01
red	02
yellow	03
green	04
blue	05

Type	Name	Rated voltage U_e	Operating volt. range U_e	Current consumption	Fuse 5 x 20	Art. no.*
SLB 2	Double Strobe Light	12 VDC	9 – 16	1.40 A	1 x T 2 A + 2 x T 1 A	221 912 ..
SLB 2	Double Strobe Light	24 VDC	18 – 32	0.70 A	1 x T 1 A + 2 x T 0.5 A	221 913 ..
SLB 2	Double Strobe Light	48 VDC	36 – 64	0.35 A	1 x T 0.5 A + 2 x T 0.25 A	221 914 ..
SLB 2	Double Strobe Light	110 VAC 50 – 60 Hz	97 – 127	0.14 A	2 x T 0,5 A + 1 x M 0.032 A	221 906 ..
SLB 2	Double Strobe Light	230 VAC 50 – 60 Hz	195 – 253	0,06 A	2 x T 0,2 A + 1 x M 0,032 A	221 907 ..

T = time lag / M = medium time lag

Subject to change without notice · Printout 03/13