



Rotating Mirror Beacon SLD 4

**Optical signalling device
for indoor and outdoor use**

- ▶ Indoor and outdoor use
- ▶ Protection degree IP 65
- ▶ Housing of impact-resistant plastic
- ▶ Wear-resistant wheel drive
- ▶ Cap of Polycarbonate
- ▶ Reflector rotational-speed approx. 180 rpm
- ▶ Optimised lens system, increased light reflection



Application

The SLD 4 rotating mirror beacon is suitable for use wherever it is necessary to warn of dangers. It is used, for example, as warning device on automatic gates, in underground garages and in multi-storey car parks.

Design

With its IP 65 impact-resistant plastic housing and Macrolon cap, the device can be used both indoors and outdoors. Thanks to an improved reflector lens system, the light focus is increased, resulting in very high light reflection. The beacon is driven by a wear-resistant wheel drive.

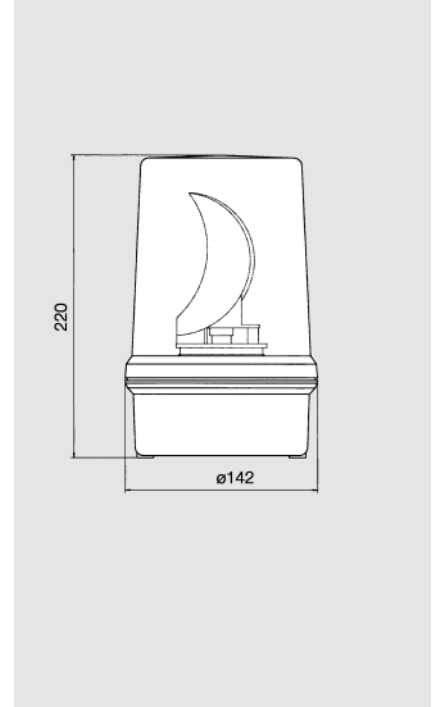
Warning on automatic rolling shutters

Thanks to an improved reflector lens system, the light focus is increased, resulting in very high light reflection.



Technical specifications

Housing	Impact-resistant plastic socket with cap made of Polycarbonate
Protection degree	IP 65 (IEC 529)
Protection class	II
Cable entry	From below or the side
Connection terminal	1.5 mm ² fine wire/2.5 mm ² single wire
Operating conditions	Indoors and outdoors
Operating position	Any (preferable cable entry downwards)
Operating mode	Continuous
Light source	High-efficiency 35 W halogen lamp
Reflector rotational-speed	Approx. 180 rpm
Driver	Wear-resistant frictional wheel drive
Temperature range	-20° C to + 50° C
Weight	Approx. 0.9 kg



Order information

* The full article number is made up by appending the colour code for the coloured cap to the article numbers given below.

transp.	01
red	02
yellow	03
green	04
blue	05

Type	Name	Rated voltage V	Operation voltage range	Rated current A	Art. no.*
SLD 4	Rotating Mirror Beacon	12 VDC	±15 %	3,0 A	222 021 ..
SLD 4	Rotating Mirror Beacon	24 VAC/DC	±15 %	1,5 A	222 022 ..
SLD 4	Rotating Mirror Beacon	115 VAC	(+6 /- 10 %)	0,3 A	222 023 ..
SLD 4	Rotating Mirror Beacon	230 VAC	(+6 /- 10 %)	0,15 A	222 024 ..
Spares					
	Caps				229 112 ..
	Halogen Lamp H 1, 12 V/35 W				229 112 12
	Halogen Lamp H 1, 24 V/35 W				229 112 24
Accessories					
WH 4	Wall Holder				222 009 14

Subject to change without notice · Printout 03/12