


ExII-Sounder dEV 21

Signalling device with
31 different signalling tones



- ▶ Protection degree IP 66
- ▶ CE 0158  II 2 G Ex dem IIC T6
- ▶ 31 different signalling tones
- ▶ 8 volume levels
- ▶ In black or red available
- ▶ Synchronisation of tone-control



Application

The ExII-Sounder dEV 21 is a signalling device that generates various signalling tones and signalling tone sequences and emits them at a high sound pressure level. The user may choose between 31 preset signalling tone groups and one programmable one. Every signalling tone group contains 4 different signalling tones. Wire the control inputs with floating contacts or jumpers in order to choose any one of these 4 signalling tones. The sounder has 8 volume levels. All outer fastening parts are made of non-corrosive materials.

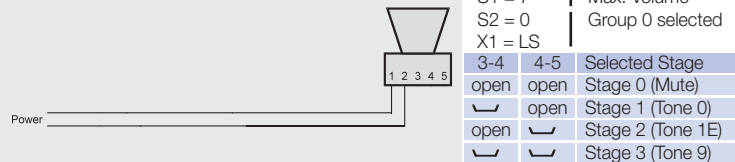
The stable, all-plastic housing conforms to protection degree IP 66, which means the sounder can be installed both indoors and outdoors. Explosion category II 2 G Ex dem IIC T6 allows the sounder to be operated in hazardous areas of zones 1 and 2.

Design

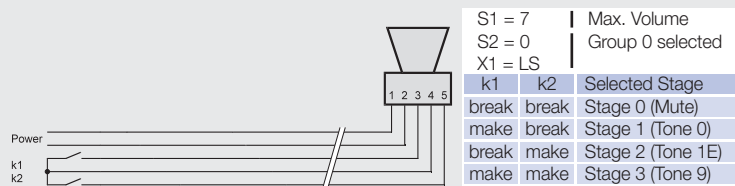
The explosion protection is given through the flameproof chamber and the chamber "increased safety". The flameproof chamber contains the electromagnetic drive system. The housing is made of GRP thus guaranteeing protection against corrosion.

Furthermore the construction is low weight and highly robust.

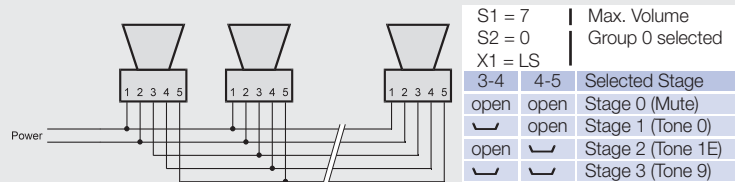
Single sounder with a fixed signalling tone:



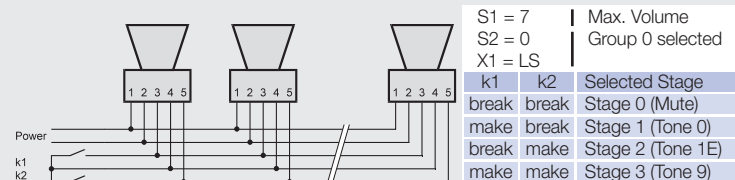
Single sounder with variable signalling tone:



Multi-sounder with a fixed signalling tone:

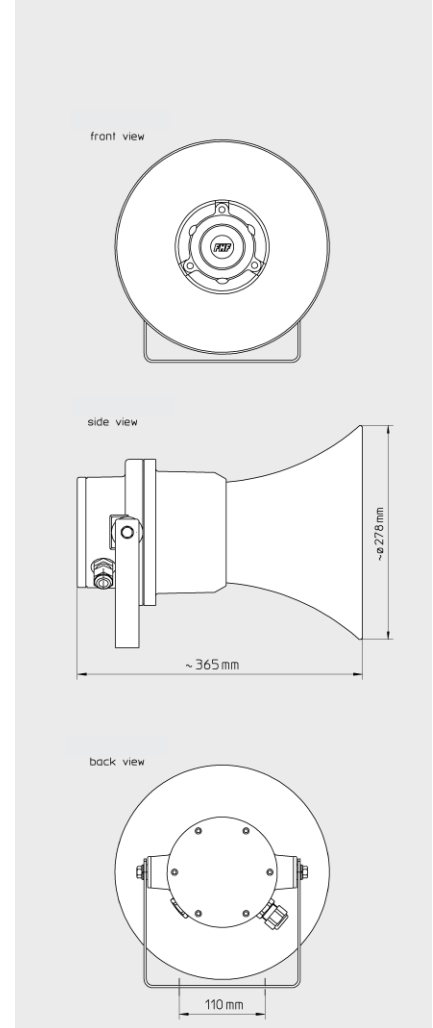


Multi-sounder with variable signalling tone:



Technical specifications

Type	dEV 21	
Explosion category	CE 0158 II 2 G Ex dem IIC T6	
EC type examination certificate	PTB 03 ATEX 1121	
Housing degree of protection	IP 66 IEC 60529	
Insulation class	II	
Housing material	Plastic	
Metal components	Stainless steel V4A (ASTM 316)	
Dimensions	~ Ø 278 x 365 mm	
Weight	~ 5.9 kg	
Electrical connections:	AC-version	DC-version
Operating voltage UB	85 - 265 VAC	21.6 - 75 VDC
Operating frequency	50 - 60 Hz	-
Max. Current consumption	230 VAC	100 mA
	120 VAC	160 mA
	115 VAC	165 mA
	24 VDC	520 mA
Number of sounders connected in parallel	≤ 32	
Signal tones	31 tones	
Sound pressure	≤ 119 dB(A) at 1 m distance (at approx. 1.5 KHz)	
Operating position	any, although preferably such that the horn is protected from intrusion of dust and rain water.	
Operating	-20° C to +40° C	



Signalling tone description

Parameter	Type	Standard	Timing diagram	Standard	Type	Standard	Timing diagram
Tone 0 1000Hz	Continuous	PFEER Toxic Gas			Tone 10 2400Hz@ 1Hz	Intermittent	
Tone 1 800/1000Hz@ 0.25s	Alternating				Tone 11 800Hz(0.25s), 1s off	Intermittent	
Tone 2 500/1200Hz@ 0.3Hz 0.5s	Slow Whoop				Tone 12 800Hz	Continuous	
Tone 3 800/1000Hz@ 1Hz	Sweeping				Tone 13 2400Hz	Continuous	
Tone 4 2400/2900@ 7Hz	Sweeping				Tone 14 554/440Hz@ 1Hz	Alternating	
Tone 5 2400/2900@ 1Hz	Sweeping				Tone 15 544Hz@ 0.875Hz	Intermittent	
Tone 6 500/1200Hz@ 0.3Hz	Sweeping				Tone 16 800Hz@ 2Hz	Intermittent	
Tone 7 1200/500Hz@ 1Hz	Sweeping	DIN / PFEER P.T.A.P.			Tone 17 800/1000Hz@ 50Hz	Sweeping	
Tone 8 2400/2900@ 2Hz	Alternating				Tone 18 2400/2900Hz@ 50Hz	Sweeping	
Tone 9 1000Hz@ 1Hz	Intermittent				Tone 19 Mute		
Tone A 800/1000Hz@ 0.875Hz	Alternating				Tone 1A 554Hz	Continuous	
Tone B 544Hz(100ms)/440Hz(400ms)	Alternating	NF S-32-001			Tone 1B 440Hz	Continuous	
Tone C 1400Hz(1s)/1600Hz(0.5s)	Sweeping	NFC48-265			Tone 1C 800/1000Hz@ 7Hz	Sweeping	
Tone D 660Hz@ 3.33Hz	Intermittent				Tone 1D 420Hz 1.6Hz	Intermittent	
Tone E 660Hz/(1.8s), 1.8s off	Intermittent				Tone 1E 1200/500Hz@ 1Hz	Sweeping	
Tone F 660Hz	Continuous				Tone 1F 500/1200Hz@ 3.75s 0.25s	Slow Whoop	

Order information

Type	Name	Operating voltage range V	Volume dB(A)	Article no.
Housing black				
dEV 21	ExII-Sounder	85-265 VAC	ca. 119 dB(A)	96 265 112
dEV 21	ExII-Sounder	21,6-75 VDC	ca. 119 dB(A)	96 075 212
Housing red				
dEV 21	ExII-Sounder	85-265 VAC	ca. 119 dB(A)	96 265 11010
dEV 21	ExII-Sounder	21,6-75 VDC	ca. 119 dB(A)	96 075 21010

Subject to change without notice · Printout 12/09



FHF Funke + Huster Fernsig GmbH · P.O. Box 14 01 66 · D-45441 Mülheim an der Ruhr · Gewerbeallee 15-19 · D-45478 Mülheim an der Ruhr
Telephone +49-208-82 68-0 · Fax +49-208- 82 68-286 · <http://www.fhf.de> · e-mail: info@fhf.de